

Thermowells

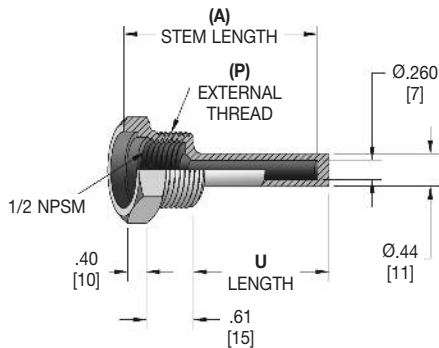
for **Bimetal Thermometers & Temperature Sensors**
Threaded-Stepped Shank

All dimensions are nominal.
Dimensions in [] are in millimeters

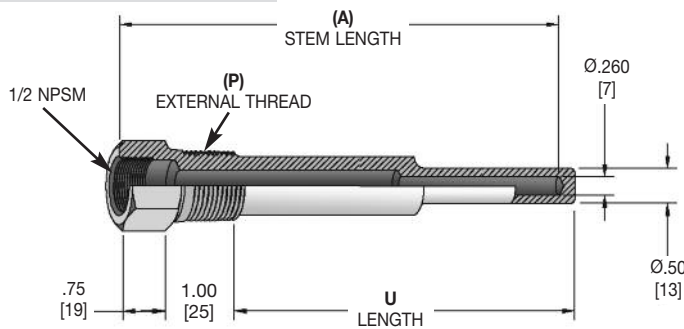


THERMOWELLS

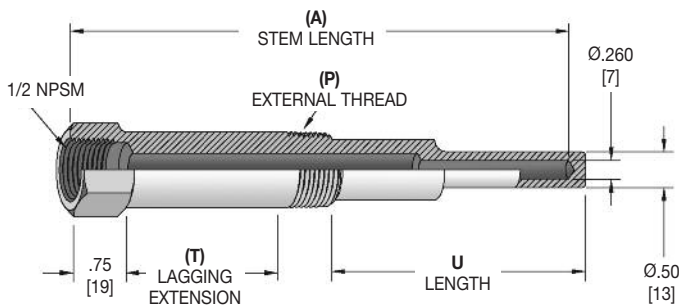
Standard (2 1/2" - 6")



Standard (9 - 24")



with Lagging Extension



Lengths

(A) Stem Length	Standard		with Lagging Extension	
	U Length	(T)	U Length	
2 1/2"	1.75 [44]	-	-	-
4"	2.50 [64]	0.60 [15]	1.90 [48]	
6"	4.50 [114]	2.00 [51]	2.50 [64]	
9"	7.50 [191]	3.00 [76]	4.50 [114]	
12"	10.50 [267]	3.00 [76]	7.50 [191]	
15"	13.50 [343]	3.00 [76]	10.50 [267]	
18"	16.50 [419]	3.00 [76]	13.50 [343]	
24"	22.50 [572]	3.00 [76]	19.50 [495]	

Pressure Rating (psi)

Material	Operating Temperature					
	70°F	200°F	400°F	600°F	800°F	1000°F
304 stainless steel	6550	6000	4860	4140	3510	3130
316 stainless steel	6540	6400	6000	5270	5180	4660
Monel	5530	4990	4660	4450	4450	-
Brass/PBF Brass	3170 psi @ 150°F, 2930 psi @ 350°F					

Alternative materials and accessories are also available. Please consult the Options and Accessories Section for details.

Selection of the proper thermowell is the sole responsibility of the user. Temperature and pressure limitations must be considered. Improper application may cause failure of the thermowell, resulting in possible personal injury or property damage. For correct use and application, please refer to the Thermowells For Thermometers and Electrical Temperature Sensors Standard ASME B40.9.

HOW TO ORDER

Sample Order Number: **76-4 J 6**

Thermowell Style	(P) External Thread	(A) Stem Length	(T) Lagging Extension	Material
76 - Bimetal/Sensor Stepped shank*	3 1/2 NPT**	D 2 1/2" Stem	A 1" Extension (4" Stem only)	2 Brass†
	4 3/4 NPT	G 4" Stem	C 2" Extension (6" Stem only)	4 Monel
	5 1 NPT**	J 6" Stem	E 3" Extension (9" and longer Stem only)	5 304SS
		M 9" Stem	Omit if None	6 316SS
		R 12" Stem		
		V 15" Stem		
		Wa 18" Stem		
		Wk 24" Stem		

* 2 1/2" - 6" stem straight shank.

** Not available with 2 1/2" stem length.

† Add (PBF) to end of part number to specify Lead-Free brass

